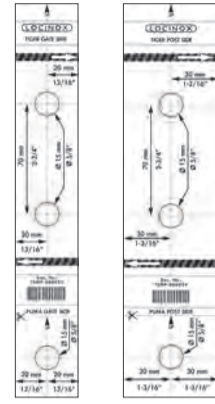
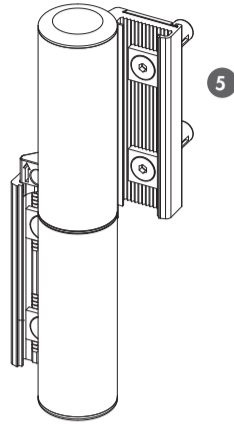
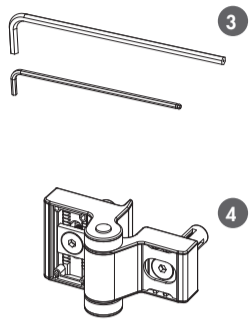
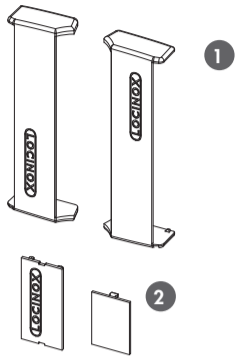


## TIGER: INSTALLATION INSTRUCTION

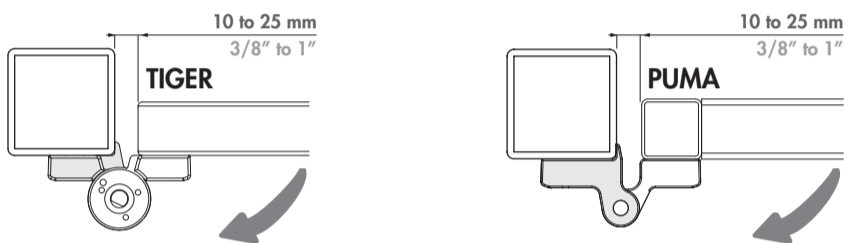
### ① Package content



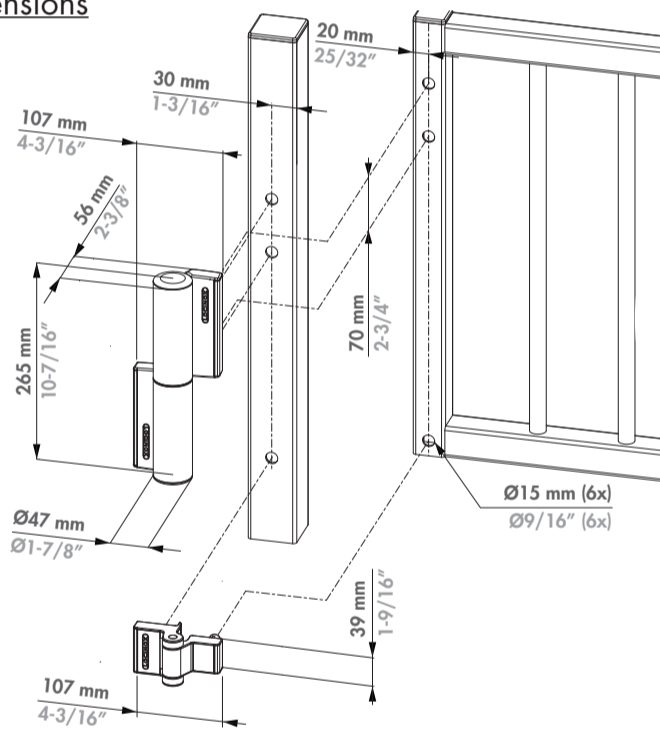
1	Tiger cover shields
2	Puma cover shields
3	Allen Keys (3 and 5 mm)
4	Puma hinge
5	Tiger gatecloser
6	Drilling Templates

### LEFT TURNING GATE

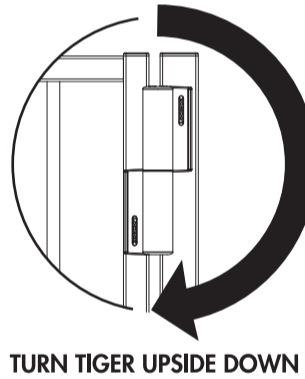
#### ② Mounting Situation



#### ③ Dimensions

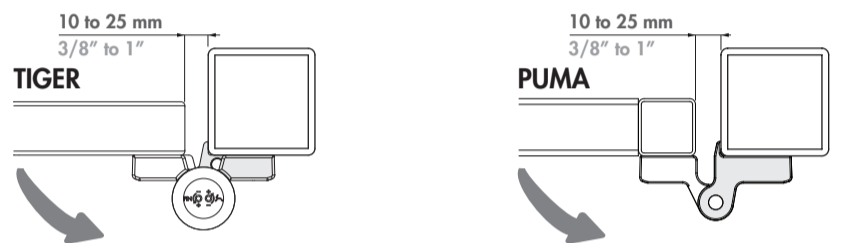


### RIGHT HAND TURNING GATE

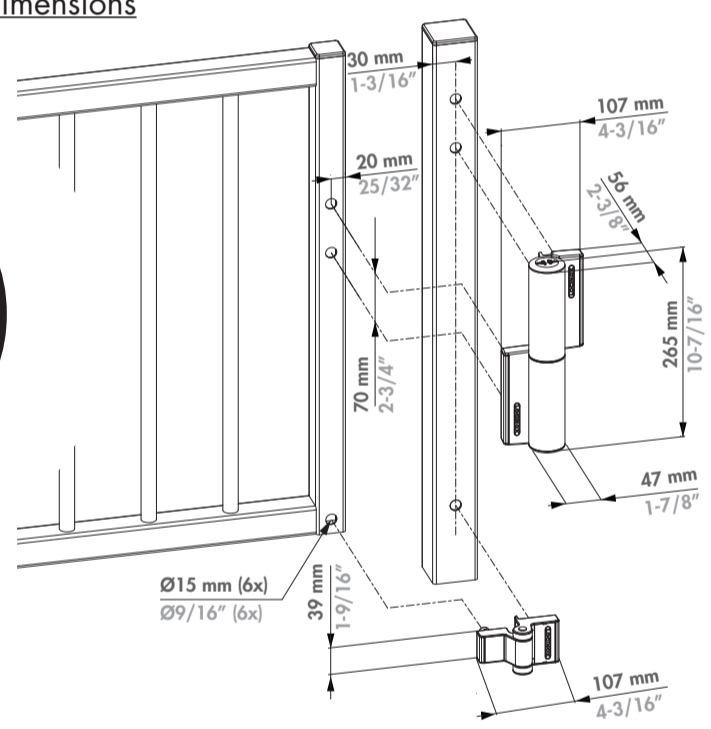


### RIGHT TURNING GATE

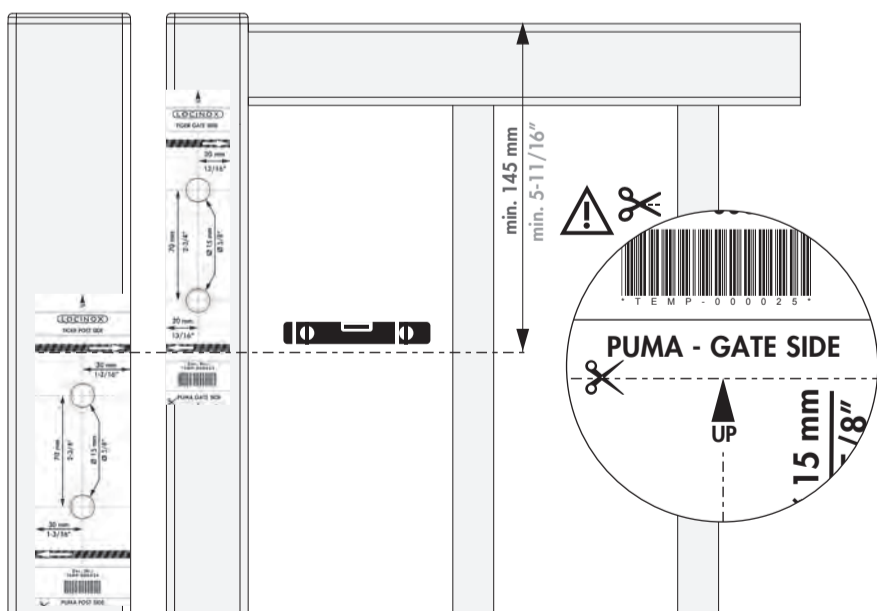
#### ② Mounting Situation



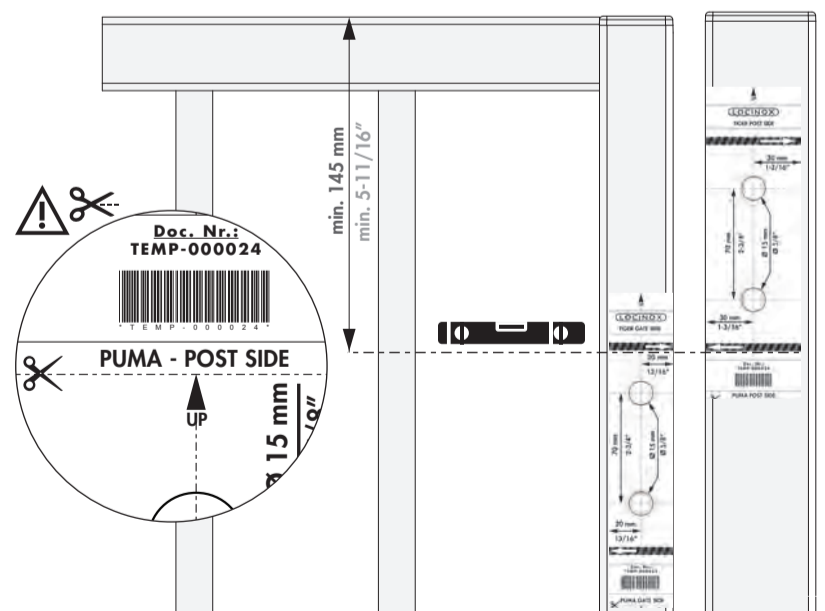
#### ③ Dimensions



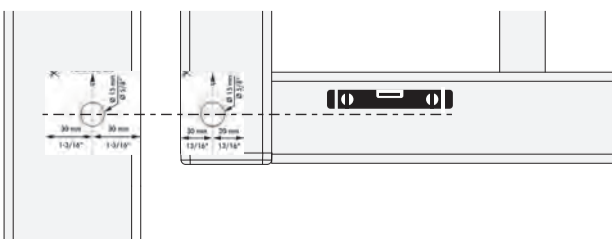
#### ④ Profile and gate preparation for TIGER gatecloser



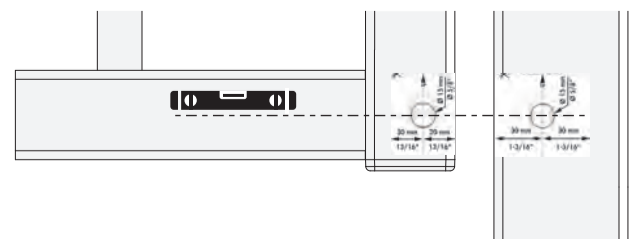
#### ④ Profile and gate preparation for TIGER gatecloser



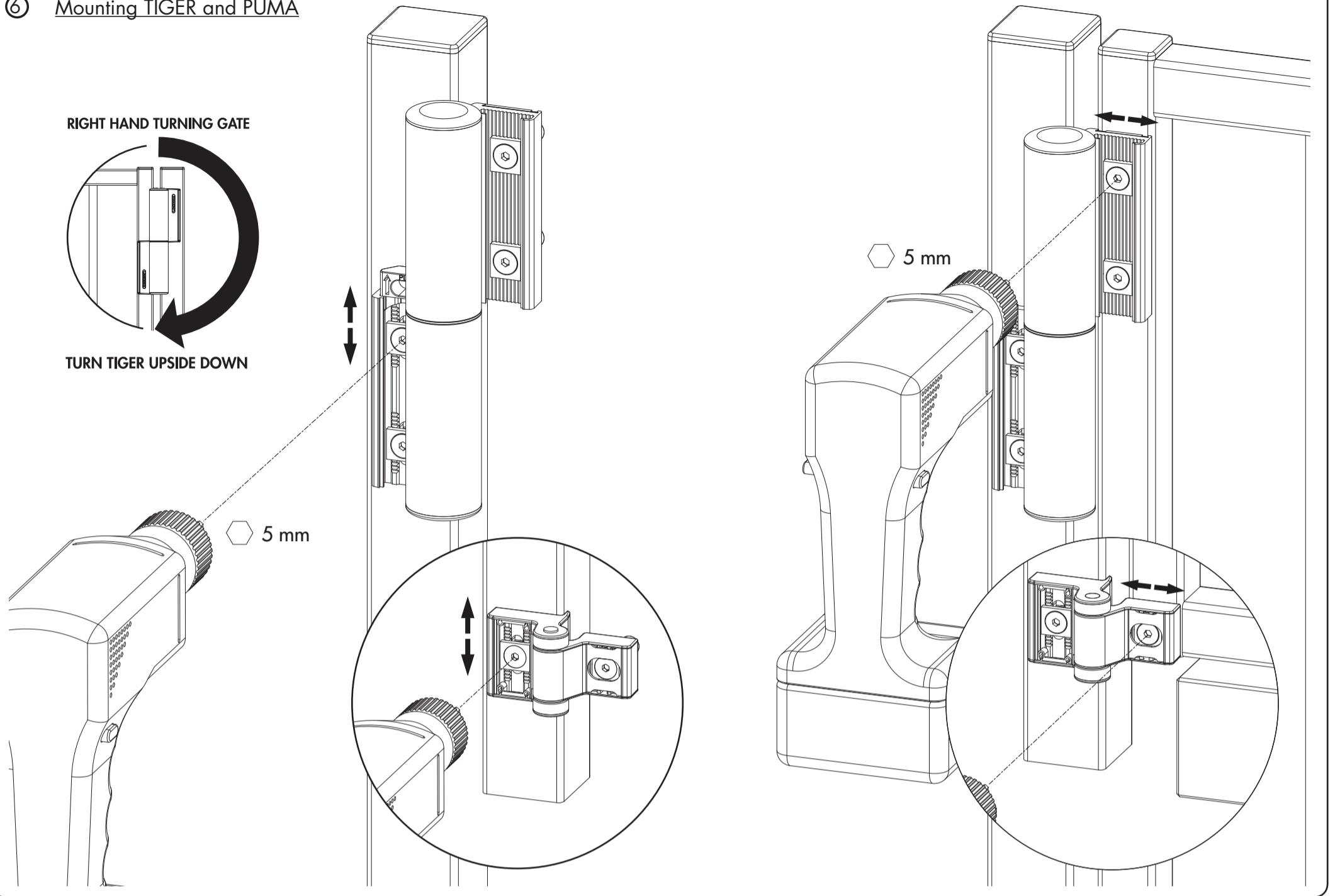
#### ⑤ Profile and gate preparation for PUMA hinge



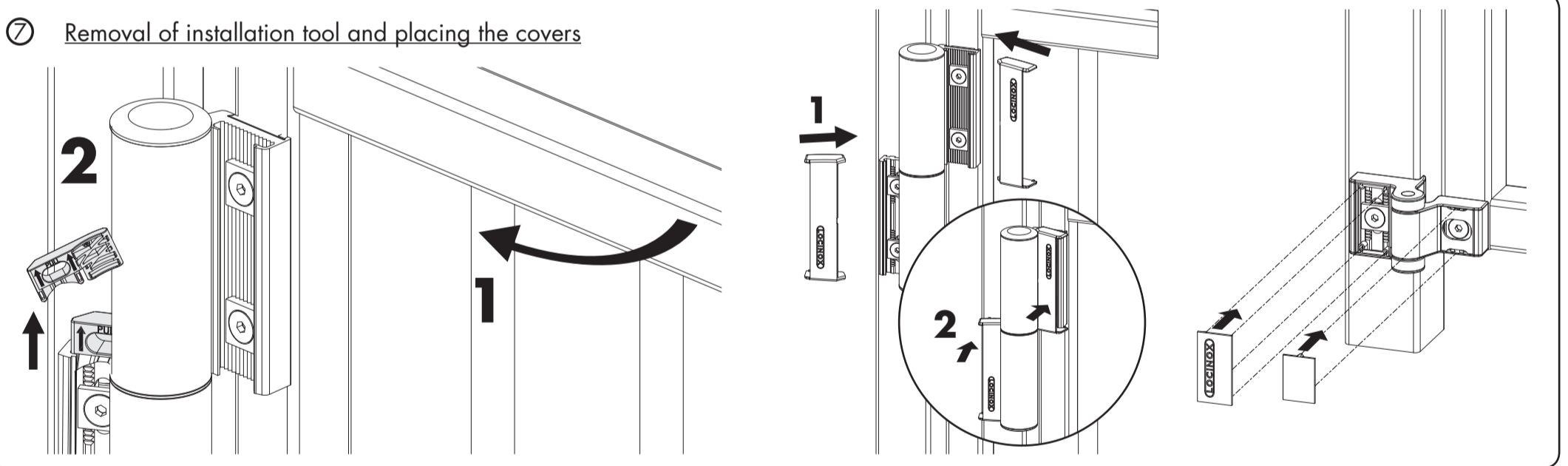
#### ⑤ Profile and gate preparation for PUMA hinge



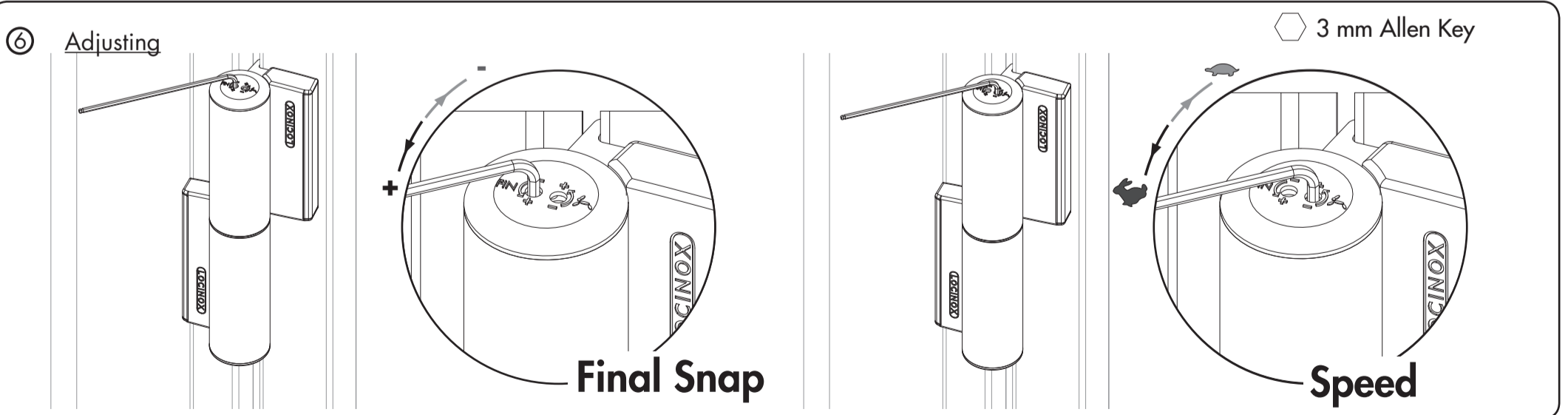
⑥ Mounting TIGER and PUMA



⑦ Removal of installation tool and placing the covers



⑧ Adjusting



**LOCINOX**®  
Let's make better fences together

Doc. Nr.:  
**MANU-000227**

Locinox nv • Mannebeekstraat 21  
B-8790 Waregem • Belgium  
Tel. +32 (0)56 77 27 66  
E-mail: locinox@locinox.com

Locinox USA LLC • 460-464 Windy Point Drive  
Glendale Heights • IL60139  
Tel. 877-LOCINOX • Fax. 708-579-0978  
E-mail: salesusa@locinox.com

