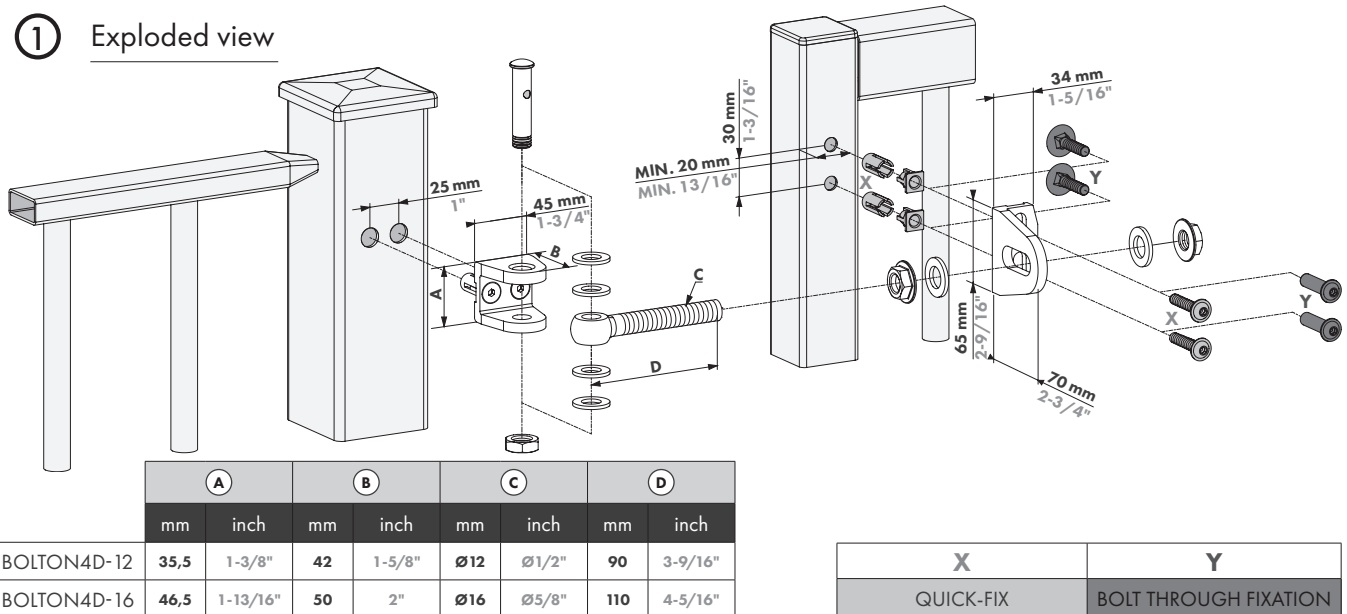


LOCINOX

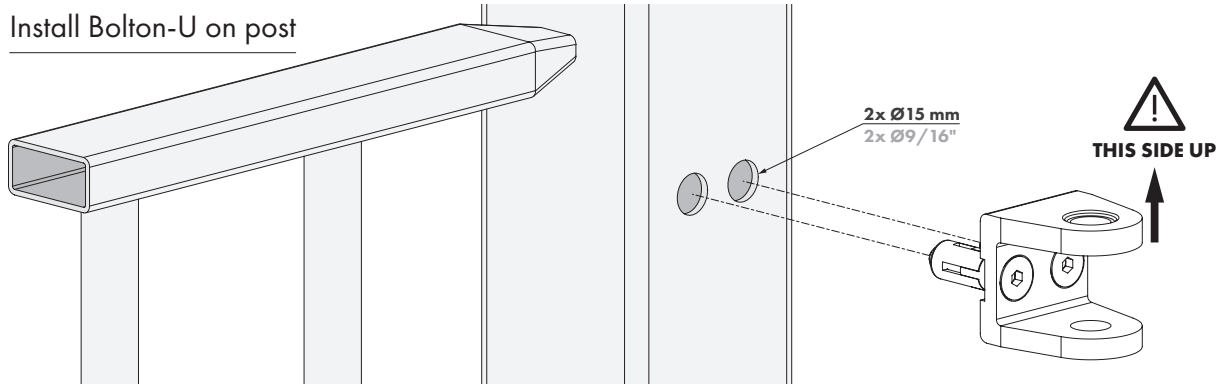
Let's make it better together

BOLTON4D

① Exploded view



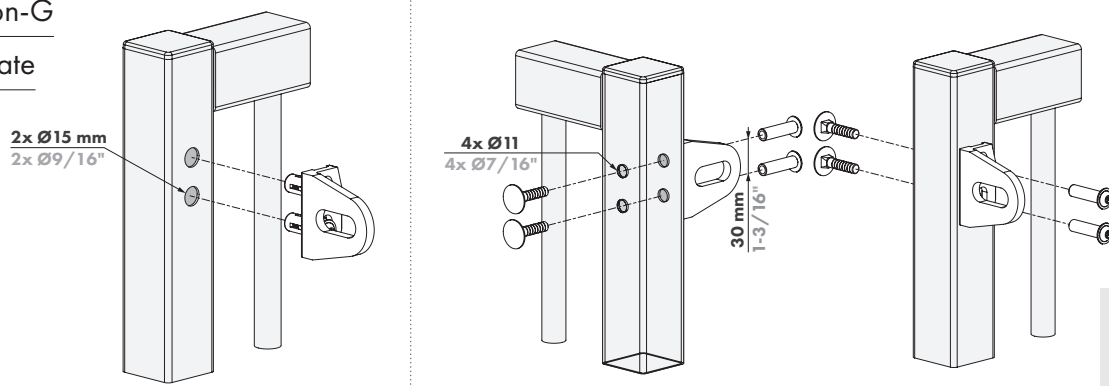
② Install Bolton-U on post



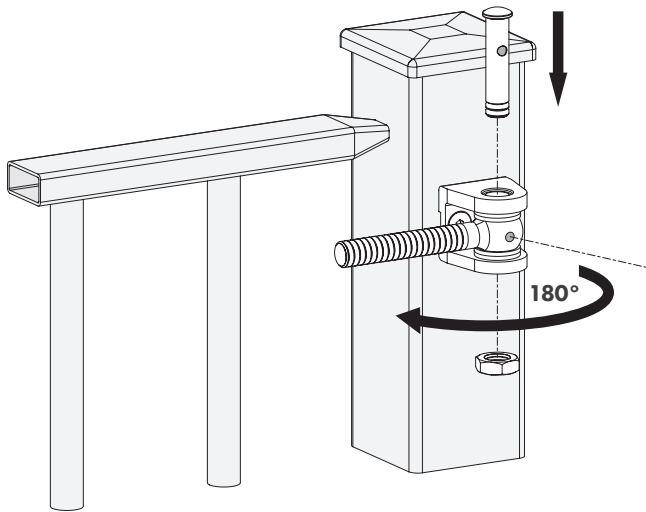
③ Install Bolton-G on gate

A: With Quick-Fix

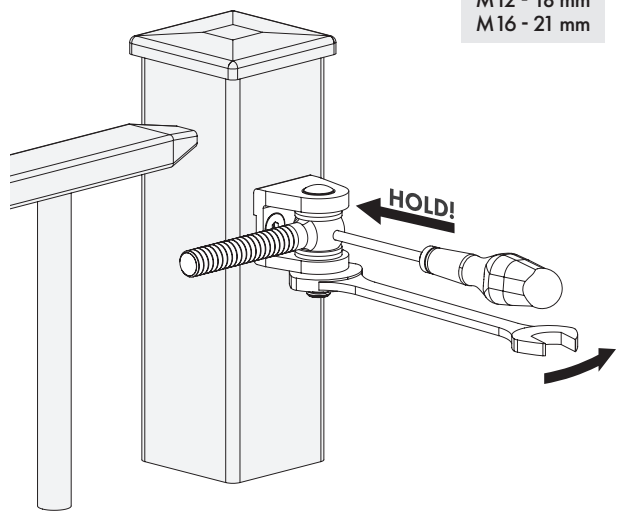
B: With bolt through fixation



④ Position cross bolt and turn eyebolt 180°

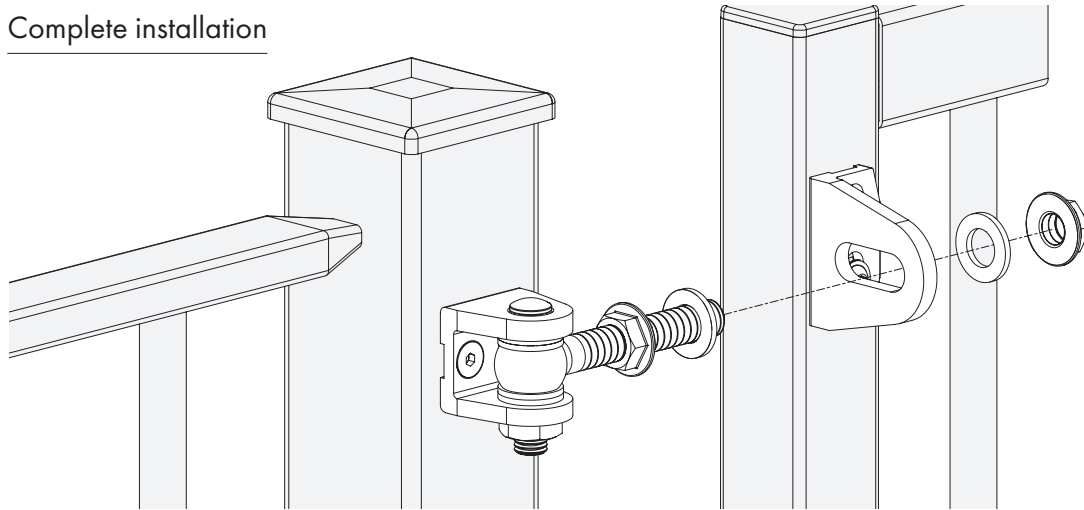


⑤ Fix cross bolt



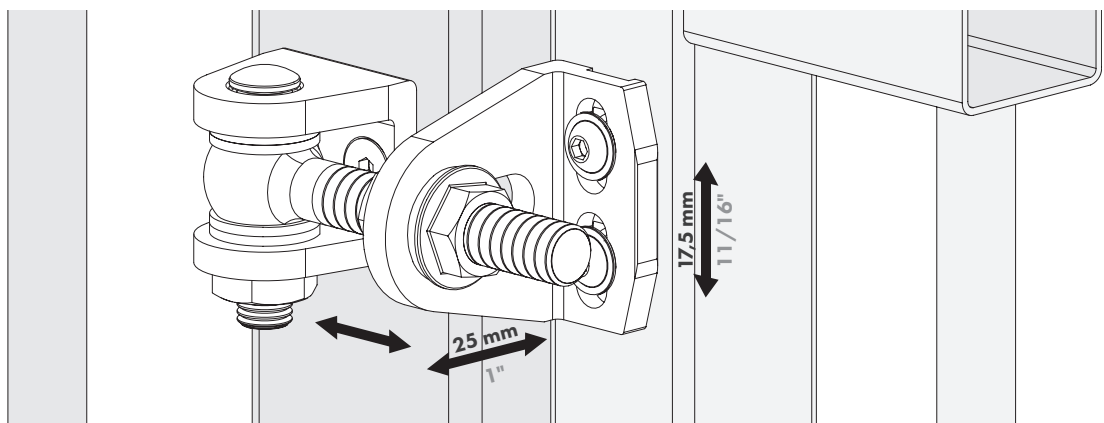
⌚
M12 - 18 mm
M16 - 21 mm

⑥ Complete installation



⌚
M12 - 18 mm
M16 - 24 mm

⑦ Adjust gate and post



LOCINOX

Let's make it better together

Doc. Nr.: MANU-000382

Locinox nv • Mannebeekstraat 21 • B-8790 Waregem • Belgium
Tel. +32 (0)56 77 27 66 • Fax. +32 (0)56 77 69 26 • E-mail: info@locinox.com

